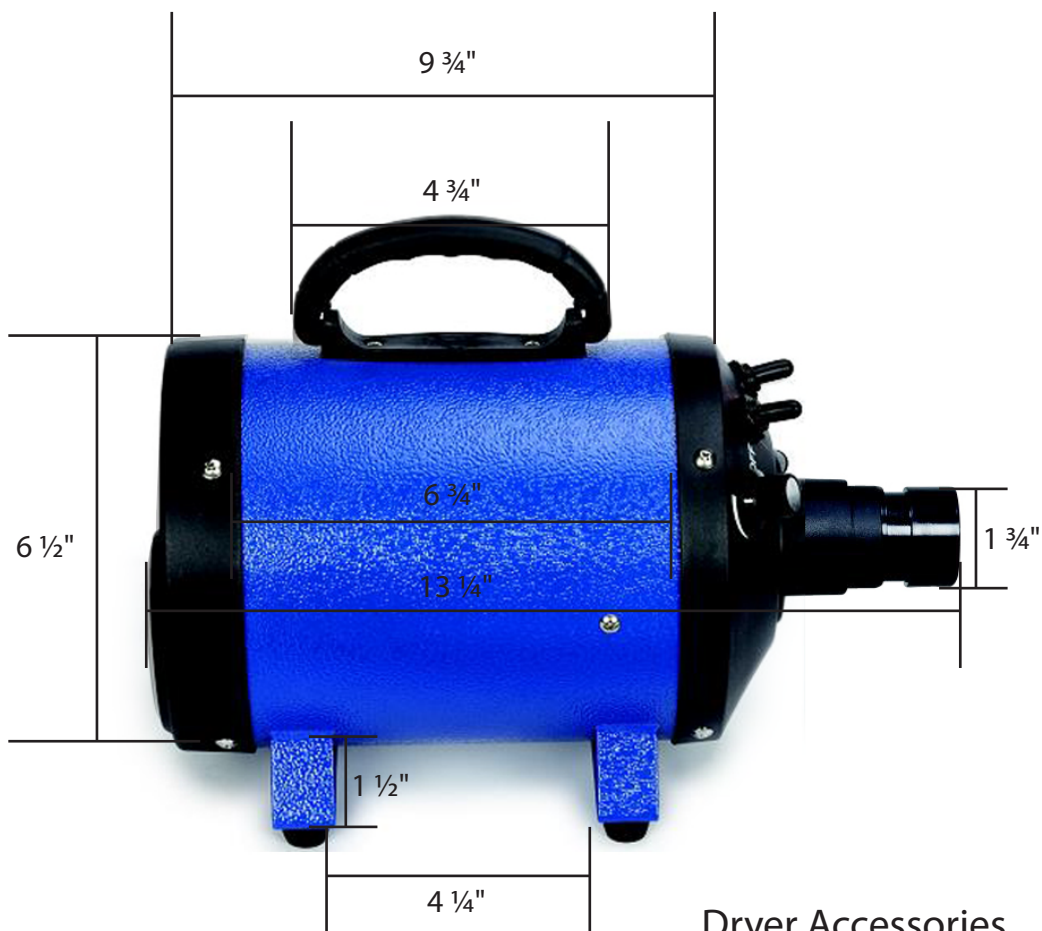
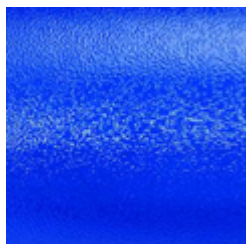




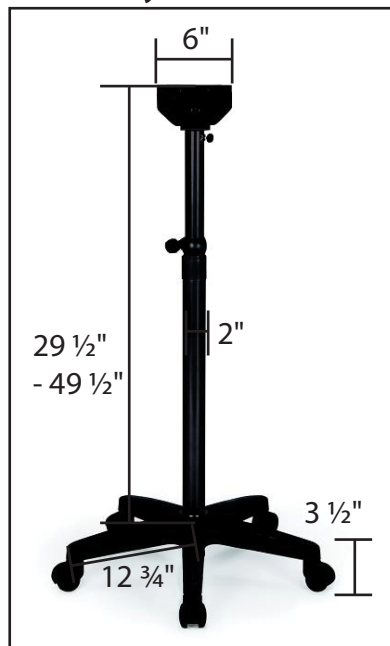
# TP253 19 Master Equipment FlashDry Stand Dryer Blue



- Accessories Included:
- Dryer Stand
  - 9ft Dryer Hose
  - Nozzle Attachments (3)
  - Hands-Free Nozzle

- Materials & Color:
- Dryer Canister: Blue powder coated carbon steel and polyethylene plastic.
  - Dryer Filter: Black foam.
  - Dryer Feet: Black rubber.
  - Dryer Stand: Black powder coated carbon steel. Casters are made of carbon steel and rubber. Knob is made of black rubber.
  - Dryer Nozzles: Black ABS plastic and rubber.
  - Bolts and Screws: Zinc plated iron.
  - Dryer Hose: Black polypropylene, rubber and iron.

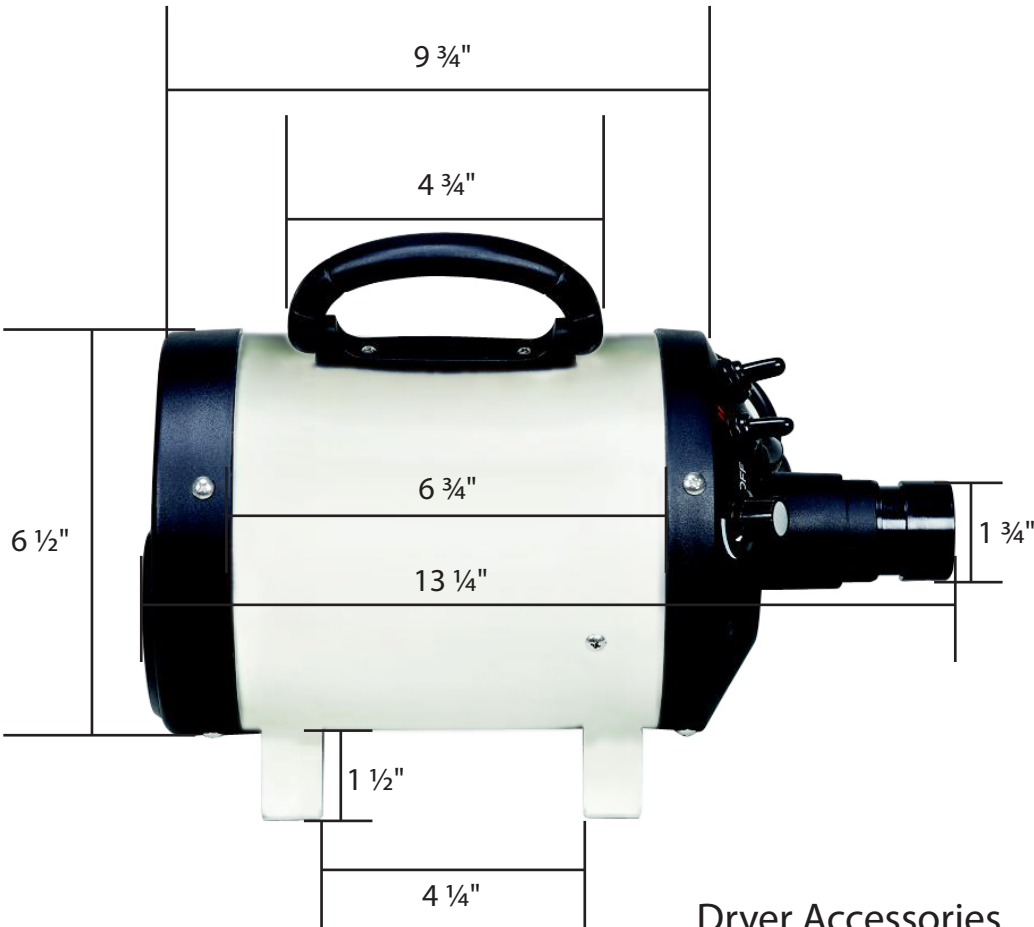
## Dryer Stand



## Dryer Accessories



Dryer Specifications	Motor	Air Volume	Air Speed	Heat	Amps	Volts	Watts	Weight
	1.5 HP	80.8 CFM	4724 FPM	No heat	12.5	110	1400	11 lbs



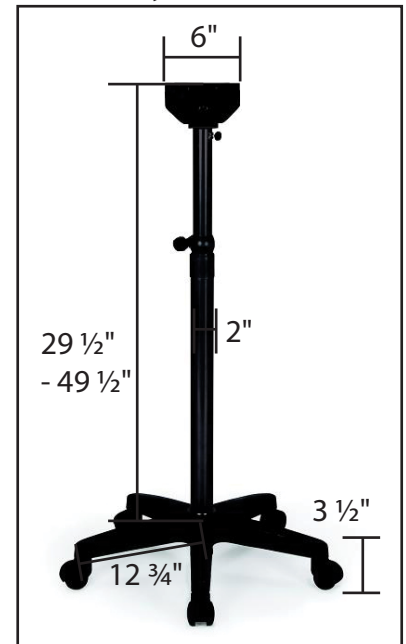
- Accessories Included:
- Dryer Stand
  - 3ft-9ft Dryer Hose
  - Nozzle Attachments (3)
  - Hands-Free Nozzle

- Materials & Color:
- Dryer Canister: Ivory powder coated carbon steel and polyethylene plastic.
  - Dryer Filter: Black foam.
  - Dryer Feet: Black rubber.
  - Dryer Stand: Black powder coated carbon steel. Casters are made of carbon steel and rubber. Knob is made of black rubber.
  - Dryer Nozzles: Black ABS plastic and rubber.
  - Bolts and Screws: Zinc plated iron.
  - Dryer Hose: Black polypropylene, rubber and iron.

### Dryer Accessories



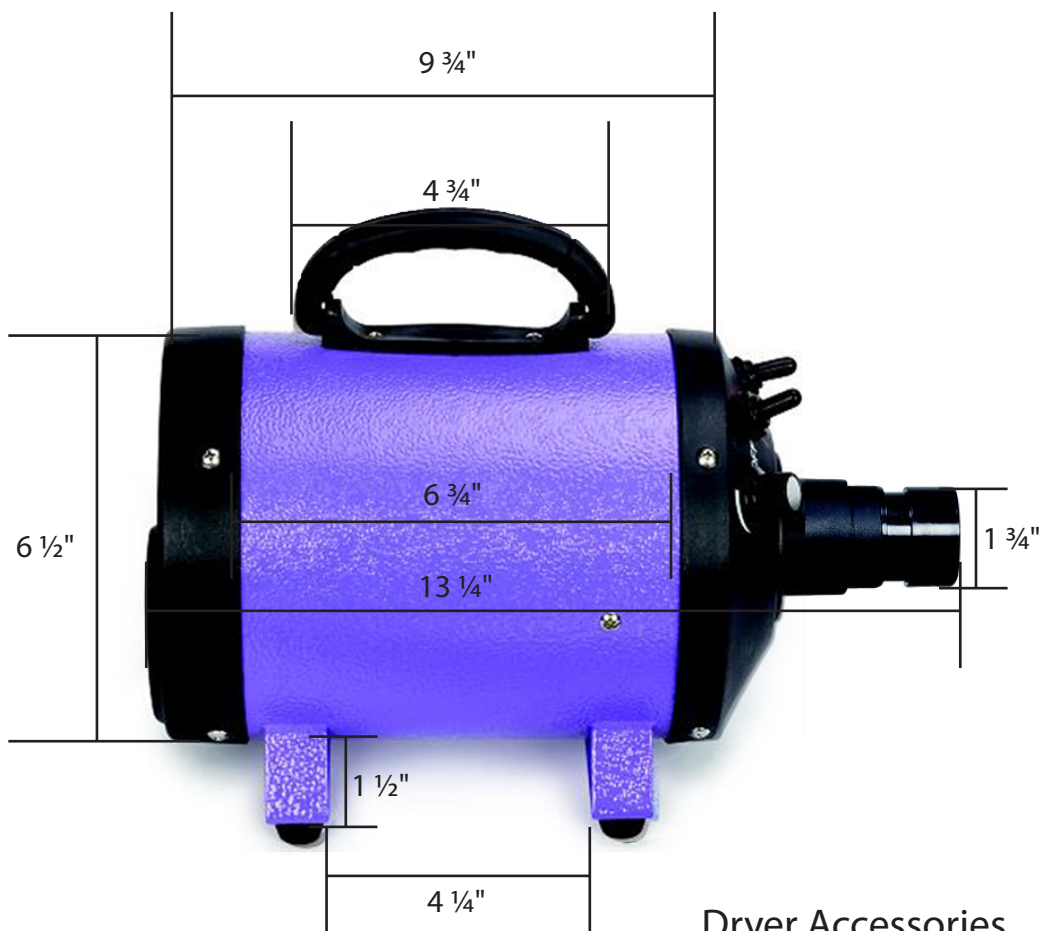
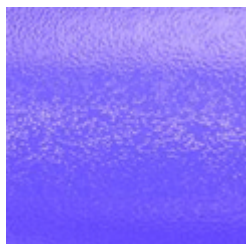
### Dryer Stand



Dryer Specifications	Motor	Air Volume	Air Speed	Heat	Amps	Volts	Watts	Weight
	1.5 HP	80.8 CFM	4724 FPM	No heat	12.5	110	1400	11 lbs



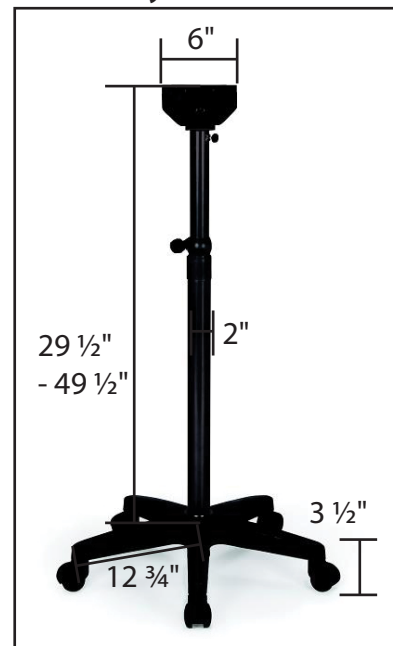
# TP253 79 Master Equipment FlashDry Stand Dryer Purple



- Accessories Included:
- Dryer Stand
  - 3ft-9ft Dryer Hose
  - Nozzle Attachments (3)
  - Hands-Free Nozzle

- Materials & Color:
- Dryer Canister: Purple powder coated carbon steel and polyethylene plastic.
  - Dryer Filter: Black foam.
  - Dryer Feet: Black rubber.
  - Dryer Stand: Black powder coated carbon steel. Casters are made of carbon steel and rubber. Knob is made of black rubber.
  - Dryer Nozzles: Black ABS plastic and rubber.
  - Bolts and Screws: Zinc plated iron.
  - Dryer Hose: Black polypropylene, rubber and iron.

## Dryer Stand



## Dryer Accessories

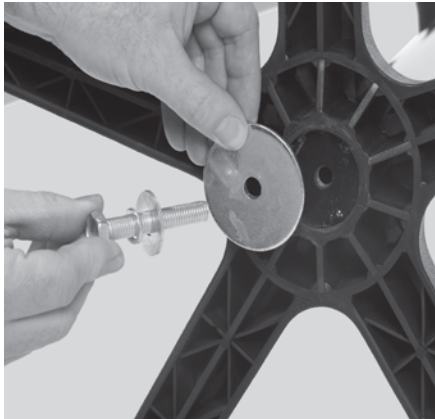
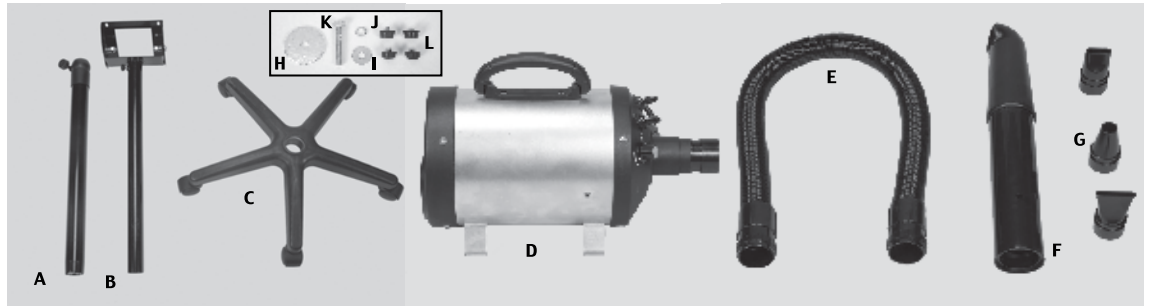


Dryer Specifications	Motor	Air Volume	Air Speed	Heat	Amps	Volts	Watts	Weight
	1.5 HP	80.8 CFM	4724 FPM	No heat	12.5	110	1400	11 lbs

## TP253 FlashDry Stand Dryer Assembly Instructions

### Parts List:

- A. Bottom Pole (1)
- B. Top Pole (1)
- C. Base with Wheels (1)
- D. Dryer Body (1)
- E. Hose (1)
- F. Hands-Free Nozzle (1)
- G. Concentrator Nozzles (3)
- H. Large Round Washer (1)
- I. Small Round Washer (1)
- J. Lock Washer (1)
- K. Bolt (1)
- L. Rounded Screws/Dryer Feet (4)



1. Connect Bottom Pole (A) to Base With Wheels (C) using the Bolt (K), Large Round Washer (H), Small Round Washer (I), and Lock Washer (J).



2. Slide Top Pole (B) into Bottom Pole (A). Secure Poles (B and A) together by tightening the knob on the Bottom Pole.



3. Attach the Dryer Body (D) to the metal frame on the Top Pole (B) using the four Rounded Screws (L).



4. To attach Concentrator Nozzles (G) to the Dryer Hose (E) push up on the plastic tab at the end of the Hose as shown. Fit the nozzle to the hose, then release the plastic tab to secure nozzle in place. To attach the Hands-Free Nozzle (F) to the Dryer Body (D), fit the nozzle over the dryer spout and tighten the screw on the nozzle.



### LIMITED WARRANTY

This Master Equipment™ FlashDry Stand Dryer is warranted against defective material or workmanship for one year from the date of original purchase. Any Master Equipment™ product that is determined to be defective in material or workmanship during the warranty period will be repaired or replaced without cost to the consumer for parts or labor. Please contact PetEdge Customer Service at 1-800-638-5754 regarding any defective product. PetEdge will not be liable under this warranty for any defect, failure, or malfunction of this product caused by normal wear, abuse, misuse, unauthorized adjustments, or repairs. PetEdge will not be liable for any incidental or consequential damages of any type. Any implied warranty is limited to the one-year period provided in this express warranty. Some states do not allow limitations on how long an implied warranty lasts, or exclusion or limitation of incidental or consequential damages, so the above limitations or exclusions may not apply to you. Warranty is void if product has been modified in any manner, repaired by anyone other than PetEdge, or has been subject to unreasonable use. Warranty is valid in the United States.

### **FLASHDRY STAND DRYER OPERATING INSTRUCTIONS:**

1. Use this dryer with 110/120 volt electrical systems. Do not exceed the capacity of the circuit the dryer is being used on.
2. Turn the dryer on by activating the on/off power switch.
3. Select the heat setting: I (low), II (high), or neutral (warm air)
4. Turn the air speed control knob to set the desired airflow.
5. When operating the dryer, take care not to blow air directly into pet's eyes, ears, or other sensitive areas or body orifices.
6. Do not leave pet unattended while using this or any dryer.
7. Before shutting dryer off, turn the air speed control knob to the lowest setting. This will extend the life of the machine by reducing stress on the motor during startup.
8. Do not insert any pins or metal objects into the workings of the machine. This can result in electric shock or cause the machine to short-circuit.
9. Do not block or obstruct the filter or diffuser. Clean the air intake regularly and keep it unblocked. Do not allow water to be drawn into the air intake.
10. Take care to protect the dryer housing from shock or sudden impact.

### **CARE INSTRUCTIONS:**

1. Carbon brushes must be changed every 300-500 hours of use.
2. Please clean the sponge filters on a regular basis by washing them or blowing air through them. Be sure to let the filters dry before reinstalling.
3. Keep the surface of the dryer clean and dry. Use a dry and soft cloth to clean the surface.
4. For stubborn stains and dirt, moisten the cloth with a mild detergent. Do not use harsh chemicals or cleaning agents.

### **SAFETY INSTRUCTIONS:**

To reduce the risk of fire, electric shock, or injury to persons when using your appliance, please follow the basic safety precautions.

1. READ all instructions before using this appliance
2. Use this dryer only for its intended purpose to dry dogs and cats.
3. Never unplug the dryer by pulling on the power cord. Always grasp the plug firmly and pull straight from outlet.
4. To protect against electrical hazards, do not immerse the dryer in water or any liquid or allow water to be drawn into the air intake.
5. Do not operate the dryer in the presence of explosive fumes.
6. Closely supervise children when the dryer is in use.
7. Unplug the dryer before cleaning, before making any repairs, or when dryer is not in use.
8. This dryer should be connected to a grounded power outlet with the proper electrical supply. See operating instructions.
9. Repair or replace any loose or worn parts immediately.
10. Do not operate the dryer when parts are missing or broken.
11. Do not use the dryer outdoors.
12. Do not operate the dryer if it is damaged or malfunctioning in any way. Contact PetEdge Customer Service at 1-800-638-5754 for more information.
13. Avoid contacting hot surfaces.
14. Do not wrap cord around motor enclosure. Continuous heat from the motor may damage cord insulation and cause electric shock.