

Parts List:

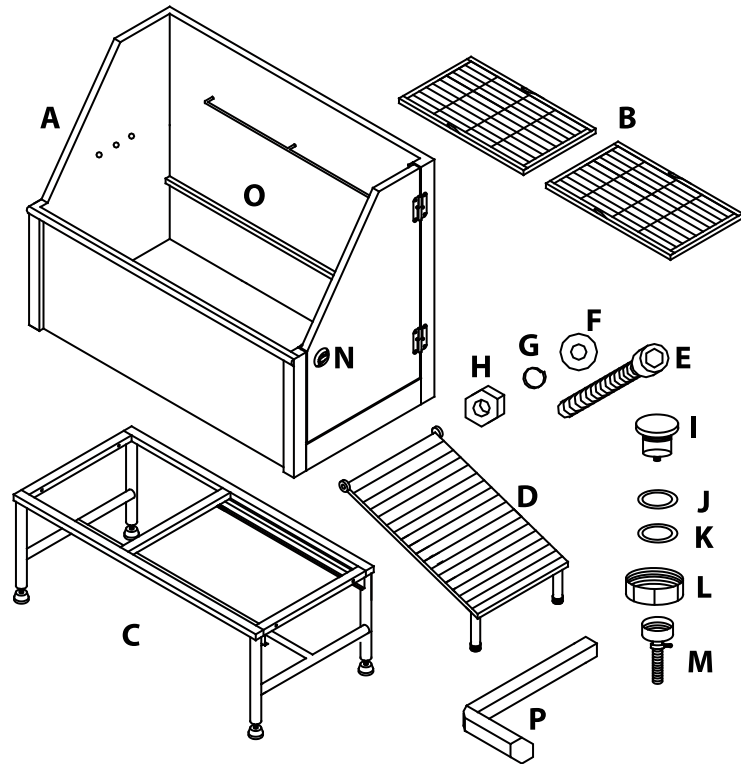
- A) Tub Basin (1)
- B) Tub Rack (2)
- C) Tub Base (1)
- D) Retractable Ramp (1)
- E) Hex Bolts (5)
- F) Washers (9)
- G) Spring Washers (5)
- H) Nuts (5)
- I) Drain (1)
- J) Sponge Gasket (1)
- K) Rubber Gasket (1)
- L) Fixed Nut (1)
- M) Plumbing Hose (1)
- N) Side Door Lock (1)
- O) Tub Rack Ledge (1)

Tools Included:

- P) Hex Wrench

Tools Needed:

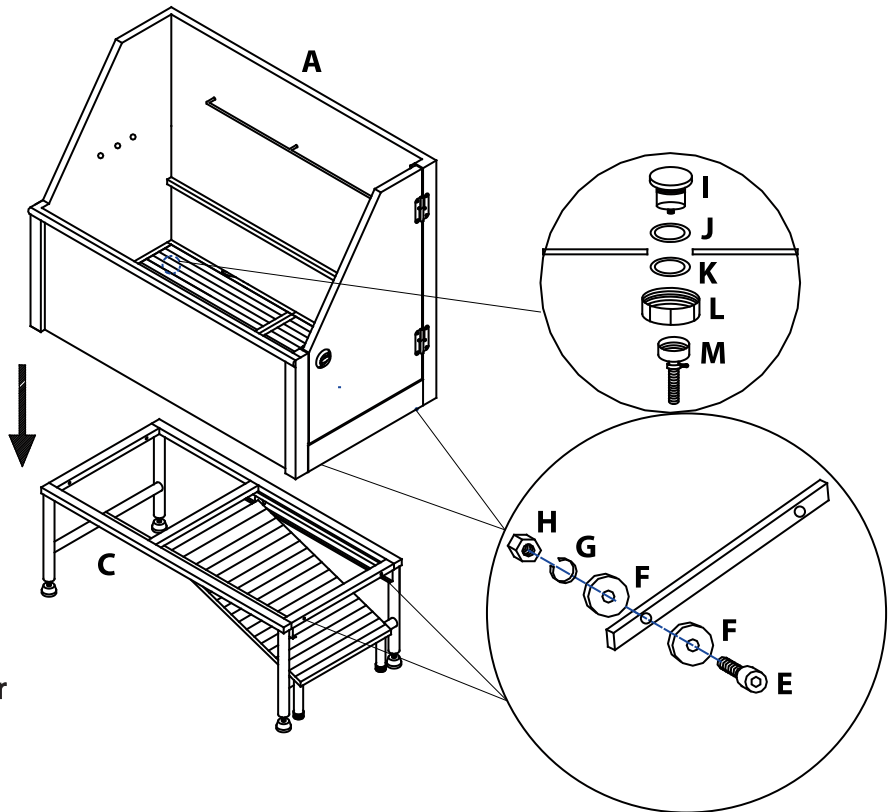
- Monkey Wrench



Assembly: Steps 1–2

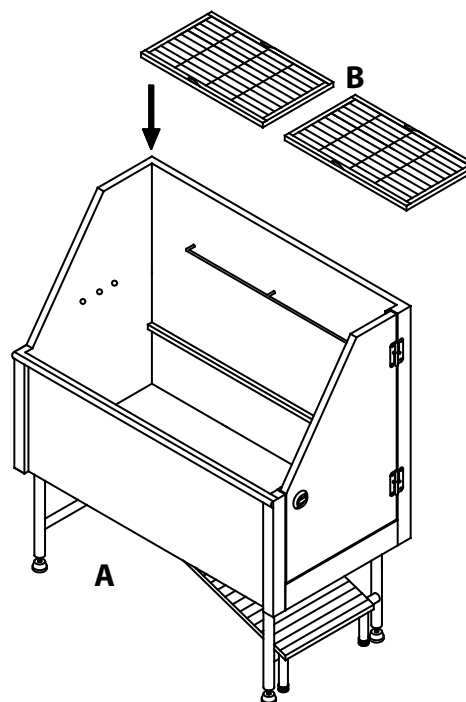
1. Place the Tub Basin (A) onto the Tub base (C). Attach the Basin using a Hex Bolt (E), Washer (F), Spring Washer (G), and Nut (H) in every pre-drilled hole in the Tub base (C) as pictured in the illustration to the right.

2. Place the Sponge Gasket (J) around the bottom of the Drain (I), then place them into the designated hole on the bottom of the Tub Basin (A). Place the Rubber Gasket (K) under the Drain (I), then use the Fixed Nut (L) to secure the Rubber Gasket (K) into place under the drain. Connect the Plumbing Hose (M) to the Drain.



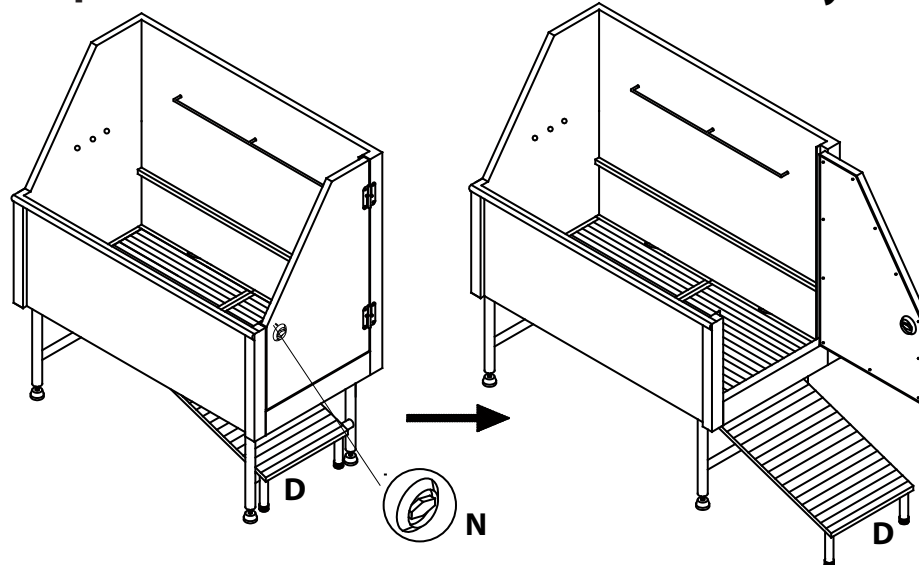
Assembly continued: Steps 3–4

- 3) Place the Tub Racks (B) into the Tub Basin (A).
- 4) To raise the Tub Racks (B), rest them on the Tub Rack Ledge in the center of the Tub Basin (A).



Assembly continued: Steps 5–7

- 5) Adjust leveling feet on the Tub Base (C) to have the drain approximately $\frac{1}{8}$ " lower than the opposite side of the tub. This allows water to drain better.
- 6) Adjust Retractable Ramp (D) to desired position.
- 7) Rotate the Side Door Lock (N) to open and close.



Finished Assembly

CARE INSTRUCTIONS

Rinse thoroughly after bathing pet. Make sure tub is clean and dry after use. Clean with mild soap or a stainless steel-approved cleaner only. Do not use harsh or abrasive cleaners, bleach, or tools with metal or textured parts, as these can scratch or damage the tub.

LIMITED WARRANTY

This Master Equipment™ Superior Stainless Steel Evolve Tub is warranted against defective material or workmanship for one year from the date of purchase. Warranted against rust for 10 years from date of purchase. Any Master Equipment™ product that is determined to be defective in material or workmanship during the warranty period will be replaced without cost to the purchaser for parts or labor. Please contact PetEdge Customer Service at 1-800-638-5754 regarding any defective product. PetEdge will not be liable under this warranty for any defect, failure, or malfunction of this product caused by normal wear, abuse, misuse, or unauthorized adjustments or repairs. PetEdge will not be liable for any incidental or consequential damages of any type. Any implied warranty is limited to the one-year period provided in this express warranty. Some states do not allow limitations on how long an implied warranty lasts, or exclusion or limitation of incidental or consequential damages, so the above limitations or exclusions may not apply to you. Warranty is void if product has been modified in any manner, repaired by anyone other than PetEdge, or has been subject to unreasonable use. Warranty is valid in the United States.

Date Purchased: _____

TP3820 Master Equipment Superior Stainless Evolve Tub

Manufactured for / Fabricado para / Fabriqué pour
© Tops Pet Products, Beverly, MA 01915
Manufactured in / Fabricado en China / Fabriqué en Chine